



Fab King



OWNER'S MANUAL

**FOR RYE-Corp Model:
RWC-02/ Fab King**

RYE-Corp.
601 Tate Coley Rd
Lenoir City, TN 37771
PHONE: (865) 988-3822
www.rye-corp.com

MANUFACTURERS WARRANTY ONE YEAR LIMITED PARTS & LABOR WARRANTY
ALL FAB KINGS ARE WARRANTED TO THE ORIGINAL PURCHASER TO BE FREE FROM DEFECTS IN MATERIAL OR WORKMANSHIP, UNDER NORMAL USE AND OPERATION FOR A PERIOD OF (1) ONE YEAR FROM THE DATE OF PURCHASE.

RYE-Corp agrees under this warranty to repair or replace, at its discretion, any original part which fails under normal use due to faulty material or workmanship during the warranty period, providing the equipment has been unaltered, and has been properly installed, maintained and operated in accordance with the applicable factory instruction manual furnished with the machine and the failure is reported to RYE-Corp within the warranty period. This includes the use of factory specified genuine replacement parts, purchased directly from a RYE-Corp authorized parts distributor or service agency. Use of generic replacement parts may create a hazard and void warranty certification. Labor to repair or replace these components is not covered by RYE-Corp. This warranty is void if failure is a direct result from shipping, handling, fire, water, accident, misuse, acts of god, attempted repair by unauthorized persons, improper installation, if serial number has been removed or altered, or if unit is used for purpose other than it was originally intended.

REPLACEMENT PARTS WARRANTY

RYE-Corp replacement parts are warranted for a period of 90 days from the date of installation or 180 days from the date of shipment from the factory, which ever occurs first.

PRODUCT CHANGES AND UPDATES

RYE-Corp reserves the right to make changes in design and specification of any equipment as engineering or necessity requires.

THIS IS THE ENTIRE AND ONLY WARRANTY OF RYE-CORP. RYE-CORP'S LIABILITY ON ANY CLAIM OF ANY KIND, INCLUDING NEGLIGENCE, WITH RESPECT TO THE GOODS OR SERVICES COVERED HEREUNDER, SHALL IN NO CASE EXCEED THE PRICE OF THE GOODS OR SERVICES OR PART THEREOF WHICH GIVES RISE TO THE CLAIM. THERE ARE NO WARRANTIES, EXPRESSED OR IMPLIED, INCLUDING FOR FITNESS OR MERCHANTABILITY, THAT ARE NOT SET FORTH HEREIN, OR THAT EXTEND BEYOND THE DURATION HEREOF. UNDER NO CIRCUMSTANCES WILL RYE-CORP BE LIABLE FOR ANY LOSS OR DAMAGE, DIRECT OR CONSEQUENTIAL, OR FOR THE DAMAGES IN THE NATURE OF PENALTIES, ARISING OUT OF THE USE OR INABILITY TO USE ANY OF ITS PRODUCTS. ITEMS NOT COVERED.

This warranty does not cover cleaning or painting of the unit or any component. Nor does it cover adjustments such as, but not limited to mechanical and electrical components. In addition, the warranty will not cover the Deubling water union (Deublin part # 902-121-188). Also, not covered are conditions caused by the use of incorrect use of authorized tooling, or the use of non-authorized tooling.

Installation Date:

Service Rep. Name:

Phone No.:

RYE-Corp provides technical support for the Router Work Center detailed in this manual. We strongly recommend that you refer to this manual before making a call to our technical support staff. Please have this manual with you when you call so that our staff can refer you, if necessary, to the proper page. Technical support is available from 8:00 a.m. to 5:00 p.m. (EST), Monday through Friday. Technical support is not available on holidays. Contact technical at 865-988-3822. Please remember that technical support is available for service personnel only.

TABLE OF CONTENTS

SECTION DESCRIPTION PAGE

I. GENERAL

Specifications 3

Dimensions 3

II. INSTRUCTIONS SECTION

Installation Instructions 4

Electrical Connections 4

Operation Instructions 5

III. PREVENTATIVE MAINTENANCE 5

IV. ELECTRICAL DIAGRAM 6

SECTION 1: SPECIFICATION INFORMATION

SECTION 1: SPECIFICATION INFORMATION

ELECTRICAL REQUIREMENTS

20 Amp service disconnect, single phase, 220 volts

Router motor is a 3 Horse Power, 3 phase 3,330 RPM @ 60 hz electric motor. Do not attempt to operate motor directly from any other source than the 4 HP inverter supplied with the equipment.

NOTE: Typical Electrical Circuit is based upon (1) 125% of the full amperage load of the machine and (2) typical fixed-trip circuit breaker sizes as listed in the NEC 2002 Edition. Local codes may require more stringent protection than what is displayed here. Always verify with your electrical service contractor that your circuit protection is adequate and meets all applicable national and local codes. These numbers are provided in this manual simply for reference and may change without notice at any given time.

WATER REQUIREMENTS

GALLONS PER MINUTE: 3.0

FLOW PRESSURE P.S.I. 20A5

SECTION 1: SPECIFICATION INFORMATION

DIMENSIONS

Height - 71"

Width - 44"

Length - 141"

SECTION 2: INSTALLATION/OPERATION INSTRUCTIONS

SECTION 2: INSTALLATION/OPERATION INSTRUCTIONS

INSTALLATION INSTRUCTIONS

VISUAL INSPECTION: Before installing the unit, check the machine for damage. If there is damage to the machine, please call the manufacturer. The Fab King has been inspected and packed at the factory and is expected to arrive to you in new, undamaged condition. However, rough handling by carriers or others may result in there being damage to the unit while in transit. If such a situation occurs, do not return the unit to RYE-Corp; instead, contact the carrier and ask them to send a representative to the site to inspect the damage to the unit and to complete an inspection report. You must contact the carrier within 48 hours of receiving the machine. Also, contact the dealer through which you purchased the unit.

UNPACKING THE FAB KING: Once the machine has been removed from the container, ensure that there are no missing parts from the machine. This may not be obvious at first. If it is discovered that an item is missing, contact RYE-Corp immediately to have the missing item shipped to you.

LEVEL THE FAB KING: The Fab King is designed to operate while being level. This is important to keep the router motor drifting away from the processing area and to ensure the best results when processing countertops. The unit comes with adjustable feet, which can be turned using a 3/4:" spanner. Ensure that the unit is level from side to side and from front to back. (see photo #1)

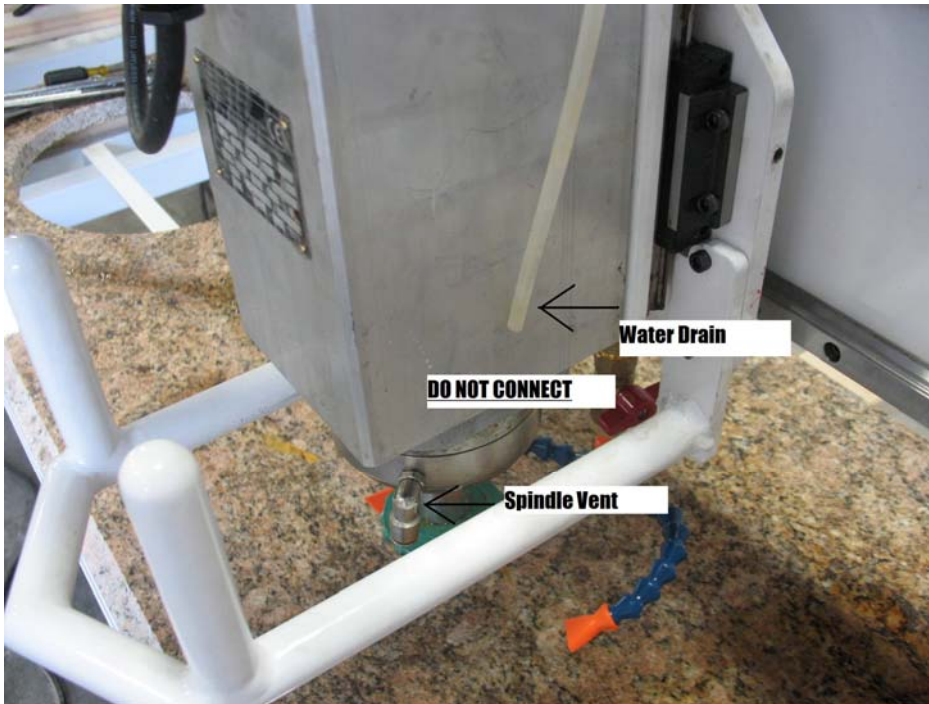
REMOVE SHIPPING LOCK BOLTS: There are 2 bolts securing the main bridge on both sides. Using a 9/16 wrench, remove these bolts. (see photo #2)
Using an allen wrench, remove the cap screw that secures the router to the side support. (see photo)

INSTALL 2x4 SUPPORTS: There are six 2X4's 27 1/2" long located inside the crate. Install the 2X4's on the table (see photo #3)

LEVELING THE ROUTER MOTOR TO THE TABLE: It is recommended that a slab of granite measuring approximately 110" X 25" (enough to cover the entire table) be placed on the table to level the table. Using a 35mm Spanner, adjust two adjustment nuts on each side so the router is the same distance above the granite through the whole 114" length of travel from end to end. In the middle of the table move the router front to back. The distance should be equal during the whole distance of travel. If not, turn the adjusters the equal amount of turns until the router is the same distance above the granite. Re-check the front edge. (see photo)

PLUMBING THE Fab King: The customer is responsible for ensuring that the incoming water line is thoroughly flushed prior to connecting it to the Fab King. It is necessary to remove all foreign debris from the water line that may potentially get trapped in the valves or cause an obstruction. Any valves that are fouled as a result of foreign matter left in the water line, and any expenses resulting from this fouling, are not the responsibility of the manufacturer. A standard garden hose is adequate for normal processes

There is a water union drain hose coming from the top of the spindle. DO NOT ATTEMPT TO CONNECT THIS HOSE TO THE SPINDLE BEARING VENT LOCATED ON THE LOWER PART OF THE SPINDLE.



SECTION 2: INSTALLATION/OPERATION INSTRUCTIONS

ELECTRICAL CONNECTIONS

ELECTRICAL POWER CONNECTION: Electrical and grounding connections must comply with the applicable portions of the National Electrical Code ANSI/NFPA 70 (latest edition) and/or other electrical codes

It is recommended the Fab King be connected directly to a wall mounted disconnect, but an approved 20 amp twist lock plug can be installed.

Warning: PPE (Personal Protective Equipment) must be worn by all persons in proximity of the Fab King during its operation. This includes; Eye protection and hearing protection. Also, operator should not wear loose clothing, remove all jewelry, and tie up any long hair as so it can not be entangled in the spindle motor.

SECTION 2: INSTALLATION/OPERATION INSTRUCTIONS

OPERATING INSTRUCTIONS/TOOL ATTACHMENT:

HIGH SPEED ROUTING: 10,000 RPM/ROUTER BIT WITH FOLLOWER

1. Attach the router bit to the spindle tightly using appropriate tools. (It is recommend that anti seize compound should be used on the threads before inserting tooling into spindle).
2. Place template on stone and position where the hole will be cut out.
3. Clamp template to table frame using "C" clamps snugly but no too tight. (see photo)
4. Lower router bit inside the template using the hand crank above the spindle motor.
5. Turn on water to the spindle and to accessory hose.
6. Turn speed pot fully counter-clockwise (cold start position).
7. Start spindle motor by pushing the green start button on the control box. (Spindle will start spinning).
8. Allow spindle to run for one minute to allow spindle bearing to warm up.
9. Slowly turn speed pot fully clockwise. Spindle will increase to 10,000 RPM.
10. Slowly turn the hand crank clockwise until diamond tip starts grinding the stone.
11. Turn hand crank ¼ turn (possibly more depending on granite hardness) and push router around template.
12. As you approach the starting point of the template, slowly turn the hand crank clockwise ¼ turn **without stopping travel around the template.**
13. Continue this process until the hole is completely cut out.
14. **TIP** Keep the tool moving around the template at all times. Stopping tool movement will cause the tool to slightly drill into the granite causing the processing to be jumpy!
- 15 **TIP Do not force the travel around the template (let the diamond do the cutting).**

Drilling Utility Holes: 2,700 RPM/Core Bit

1. Attach the core bit to the spindle tightly using appropriate tools. (It is recommend that anti seize compound should be used on the threads before inserting tooling into spindle).
2. A ½ Gas to 5/8 adapter may be necessary for attaching standard core bit to the spindle.
3. Position core bit above the area to be drilled.
4. Turn on water to the spindle.
5. Turn speed pot fully **counter-clockwise** (cold start position).
6. Start spindle motor by pushing the green button (spindle will start spinning).
7. Allow spindle to run for one minute to allow spindle bearing to warm up.
8. Slowly turn hand crank clockwise to start drilling into the stone. (About 1 turn every second).
9. Continue this action until hole has been drilled through.

SECTION 3: PREVENTATIVE MAINTENANCE

SECTION 3: PREVENTATIVE MAINTENANCE

PREVENTATIVE MAINTENANCE

The equipment covered in this manual is designed to operate with a minimum of maintenance. However, this does not mean that some items will not wear out in time. RYE-Corp highly recommends that any maintenance and repairs not specifically discussed in this manual should be performed by QUALIFIED SERVICE PERSONNEL ONLY. Performing maintenance on your Fab King may void your warranty if it is still in effect, so if you have a question or concern, do not hesitate to contact RYE-Corp.

1. Once a month, grease the grease fitting located on the raise/lower jack.
2. After each operation wipe down the linear rails with a dry rag and spray with mineral oil at the end of each day.
3. Insure raise/lower jack threads and linear ways guides are cleaned and oiled.
4. Once a week – open electrical box to insure water is not inside. If water is present, find the source of entry and seal with silicon.

SECTION 4: ELECTRICAL SCHEMATIC

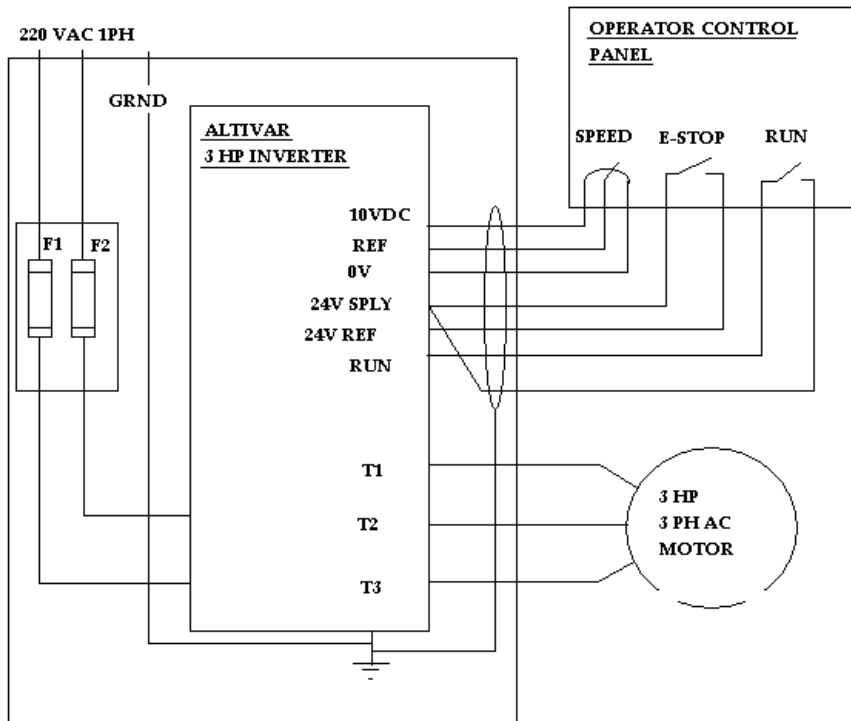


PHOTO #1



Photo #2

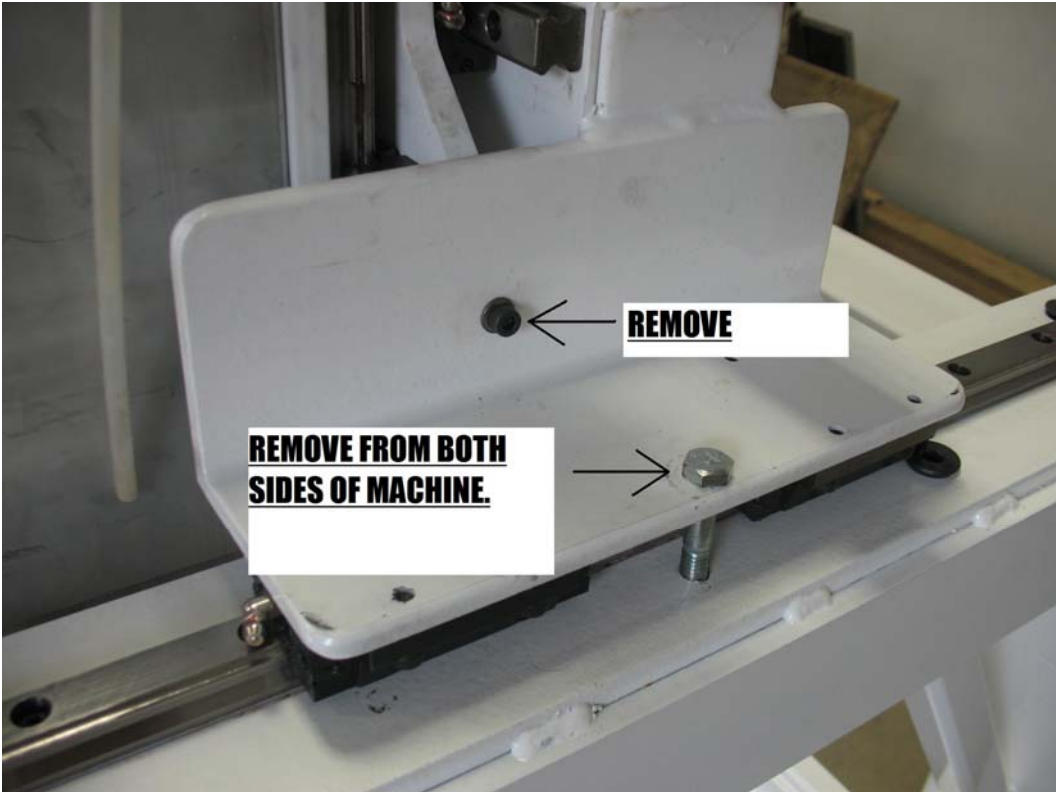


PHOTO #3



PHOTO #4

